

next generation aquaculture illumination



high powered
submersible
LED hatchery
light



High Powered LED Technology

Choice of LED power for a range of applications

Solid State Technology

Reduces the need for lamp maintenance

Rugged Design

316 stainless steel construction

Intelligent Thermal Dimming Technology (optional)

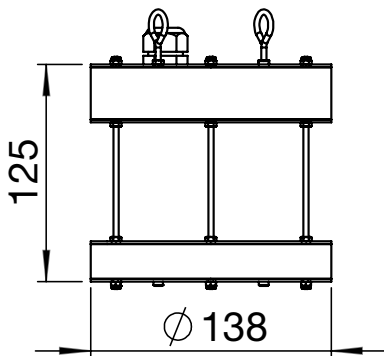
Protects LED engine from thermal overload, maximising life of the unit

Dimmable

Optional dimming control available.

Power Options

12V or 24V DC options available. 100-260VAC version supplied with remote driver.



Specifications

Technology	Light Emitting Diode
LED Power	100W, 200W, 300W (others on request)
Voltage	12 VDC, 24 VDC, 100 - 260 VAC 50/60Hz
Power Factor	0.95
Life	50,000 hours
Luminous Flux	11000lm, 22000lm, 33000lm

SHL-	Power		Colour		Voltage		Function	
	___	___	___	___	___	___	___	___
	100	100W	40	4000K	12	12 VDC	S	Standard
	200	200W	50	5000K	24	24 VDC	D	Dimming
	300	300W	60	6000K	AC	100-260 VAC		
			XX	Colour				

example: SHL-100.60.12.S

Panel light fitted to transom of motor yacht

WARNING! Unit must only be operated when fully submerged!