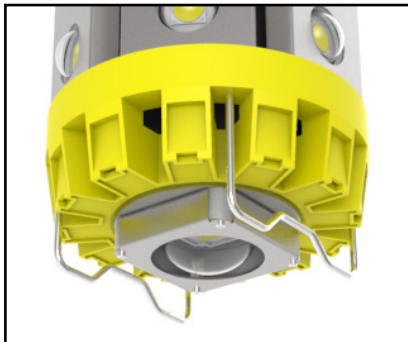


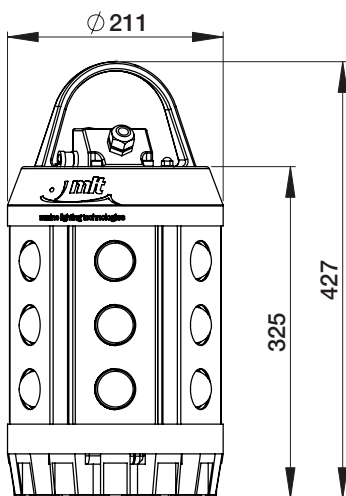
next generation aquaculture illumination

high powered LED
submersible light for
fish pen applications





Optional Down Facing LED
Improves overall light distribution
Additional 50W LED power



WARNING! Unit must only be operated when fully submerged!

High Powered LED Technology

500W LED power provides excellent output

Selection of CCT and Colours (optional)

To suit various applications

Intelligent Thermal Dimming Technology

Protects LED engine from thermal overload, maximising life of the unit

Soft Startup (optional)

Light gradually ramps up to maximum output over time

Rugged and Reliable

Solid state technology allows for hassle free operation and handling

Remote Control and Monitoring (optional)

Remote control of operation and brightness with reporting of power consumption, LED status and temperature

Flexible Cable Options

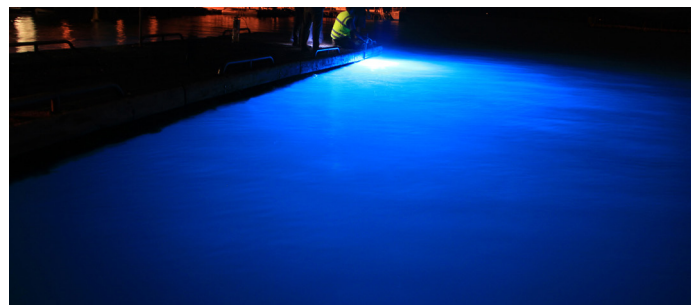
Available with supplied terminated flexible cable or wet-mateable submersible connector

Specifications

Technology	Light Emitting Diode
LED Power	500W
Voltage	100 - 260 VAC 50/60Hz
Power Factor	0.95
Driver	Integral
Life	50,000 hours
Luminous Flux	55,000 lumens (white)
Weight	16kg (with 20m of cable)

	Colour		Function	
SUB600-D	—		—	
50	5000K	S	Standard	
55	5500K	R	Soft-Start	
60	6000K	D	Dimming	
65	6500K	B	Down Facing LED	
BL	Blue			

example: SUB600-D50S



Derwent River, Tasmania, Australia